



YMM100 series | grade 1 mortise locks

Introduction

Yale® YM Series™ mortise locks are the ideal choice for standard and light-duty commercial applications, including multi-family and apartment housing, assisted living and military housing, where consistent quality, ease of use and installation are required at an economical price. The YMM100 Series is certified to ANSI/BHMA Operational Grade 1 standards and is UL fire-listed for all functions ensuring reliability and peace of mind.

a.d.a.

The YMM100 meets accessibility guidelines of the Americans with Disabilities Act and the requirements of the Uniform Federal Accessibility standards and ANSI 117.1, all requiring ease of accessibility for the handicapped.

ansi/bhma

Certified ANSI/BHMA A156.13, Series 1000, Operational Grade 1.

bevel front

YMM100 Series fronts are freefloating to adjust from flat to the standard bevel of 1/8" in 2".

door thickness

YMM100 Series Mortise Locks are supplied as standard for 1-3/4" thick doors. For other than standard, specify the door thickness on the order: (i.e. 1-1/2", 2", 2-1/4", etc.)

installation

YMM100 Series Mortise Locks conform to ANSI/BHMA Specifications A156.115 which cover hardware preparations for steel doors and steel frames and A156.115-W which cover hardware preparations for wood doors with wood or steel frames.

iso 9001

Designed and manufactured under a certified ISO 9001 quality system.

warranty

YaleYMM100 series mechanical mortise locks carry a one-year warranty.

knurled designs

Where required by the local authority, trim can be knurled to be identifiable to the touch for blind persons. All lever designs except Reflections® trim (page 5) may be ordered knurled.

Only the outside lever will be knurled or abrasive coated unless specified otherwise. To order a complete lockset knurled or abrasive coated, suffix the lockset model number with "Knurled" or "Abrasive Coated".

quick reversibility

Yalemortise locks are field reversible. These locks can be easily converted to accommodate the hand of the door. However, to reduce installation costs, it is recommended that the hand of the door be specified for each lockset ordered. If the hand of the door is not specified, RH will be furnished.

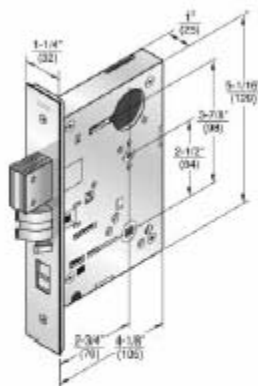
fire listings

YMM100 Mortise Locks are UL-cUL Listed for use on fire doors having a rating up to and including 3 hours and 20 minute rated wood doors.



facts and figures

YMM100 series



Armor Front - 8" x 1-1/4"

Door Thickness - 1-3/4" standard, to 3-1/4" thick doors to order when used with standard trim. To 2-1/4" thick doors when used with Reflections® trim.

Deadbolt - 1" throw, steel with 13 gauge hardened steel insert

Latchbolt - 3/4" throw, stainless steel one-piece anti-friction camming action, reversible

UL Listed - for application on labeled fire doors.

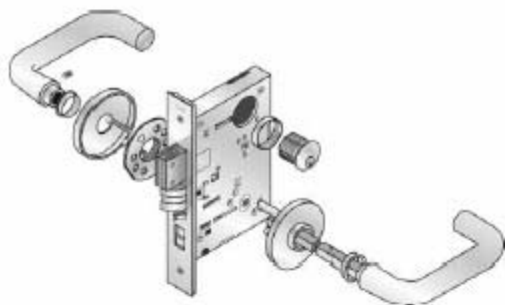
Backset - 2-3/4" only.

Case - wrought steel, zinc dichromated.

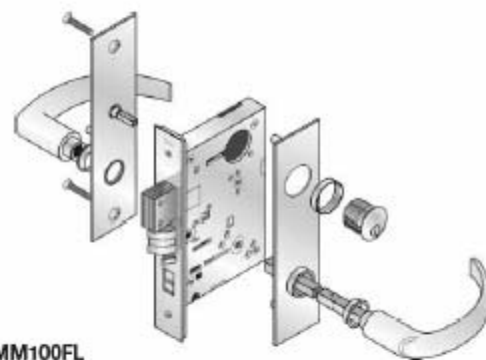
Hubs - 3/8" Solid steel, fine-blanked and heat treated for additional strength.

sectional lever installation

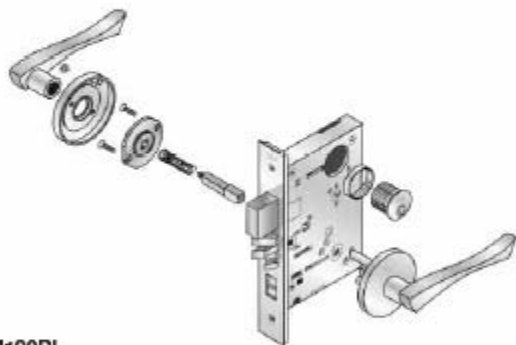
escutcheon lever installation



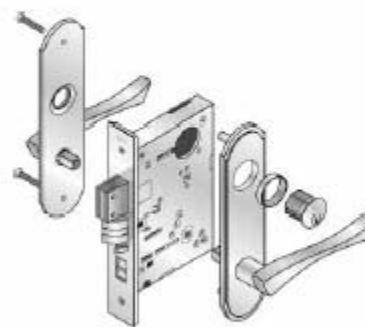
YMM100FL



YMM100FL



YMM100RL



YMM100RL

- All YMM100 Series lever trims feature through-bolted installation. For sectional trims, this ensures positive alignment of the trim with the lock case.
- All outside trim is held in place by threaded posts. For sectional trims, the posts fit through holes in the lock case and are secured by through-bolts from the inside trim. For escutcheon trims, the posts fit through the door and are secured by through-bolts from the inside trim.

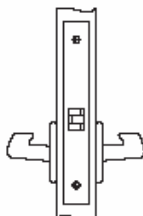
- Outside escutcheon trims have no visible screws - a great deterrent to vandalism.
- YMM100 mortise locks feature an internal heavy-duty spring cartridge which prevents lever sag.
- All YMM100 trims are UL listed for fire door applications.
- Lever designs are available as shown on pages 4-5.



functions and descriptions

YMM101 passage latch (F01)

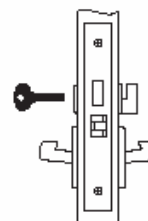
- For doors that do not require locking.
- Latchbolt retracted by lever either side at all times.



Trim	Model Numbers	Latchbolt Throw
Standard	YMM101FL	3/4"
Reflections®	YMM101RL	3/4"

YMM102 privacy lock (F19)

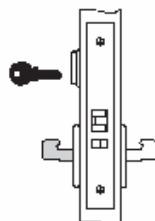
- Latchbolt retracted by lever either side.
- Deadbolt operated by thumbturn inside.
- When the deadbolt is projected, outside lever is automatically locked.
- Anti-panic operation. Operating inside lever retracts the latchbolt and deadbolt simultaneously, automatically unlocking outside lever.
- In emergency, deadbolt may be unlocked from outside by E203 emergency key, supplied.



Trim	Model Numbers	Throw	
		Latchbolt	Deadbolt
Standard	YMM102FL	3/4"	1"
Reflections®	YMM102RL	3/4"	1"

YMM105 storeroom or closet lock (F07)

- For use on storeroom, utility, exit doors.
- Latchbolt retracted by key outside, lever inside.
- Outside lever rigid at all times.
- Inside lever always active.
- Deadlocking latchbolt.

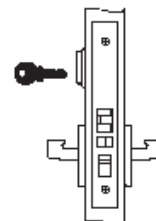


*Cylinder: 2153
 Cam: 2160

Trim	Model Numbers	Latchbolt Throw
Standard	YMM105FL	3/4"
Reflections®	YMM105RL	3/4"

YMM107 entrance lock (F04)

- For office doors where locking is required.
- Latchbolt retracted by lever either side, except when outside lever is locked by stopwork activator.
- When outside lever is locked, latchbolt is operated by key outside and lever inside.
- Deadlocking latchbolt.



*Cylinder: 2153
 Cam: 2160

Trim	Model Numbers	Latchbolt Throw
Standard	YMM107FL	3/4"
Reflections®	YMM107RL	3/4"

Yale is a registered trademark of Yale Security, Inc., an ASSA ABLOY Group company. New Traditions® is a registered trademark of Yale Residential Security Products Inc. Quick-Install™ is a trademark of Yale Residential Security Products Inc. Other products' brand names may be trademarks or registered trademarks of their respective owners and are mentioned for reference purposes only. These materials are protected under U.S. copyright laws. All contents current at time of publication.

YALE, with its unique global reach and range of products, is the world's favorite lock.

ASSA ABLOY is the global leader in door opening solutions, dedicated to satisfying end-user needs for security, safety and convenience.